

General Description:

Wi-SUN FAN PDK (Product Development Kit)

Wi-SUN FAN PDK is an *Agile and customizable* software stack developed and designed by Procubed Inc. Capable of flexible development including Wi-SUN Alliance FAN specification.

Procubed actively participated in the development of FAN Specification and implementation of stack.

The FAN devices of Procubed have been tested for interoperability and conformance with many other manufacturers including Cisco, Itron etc.

Features:

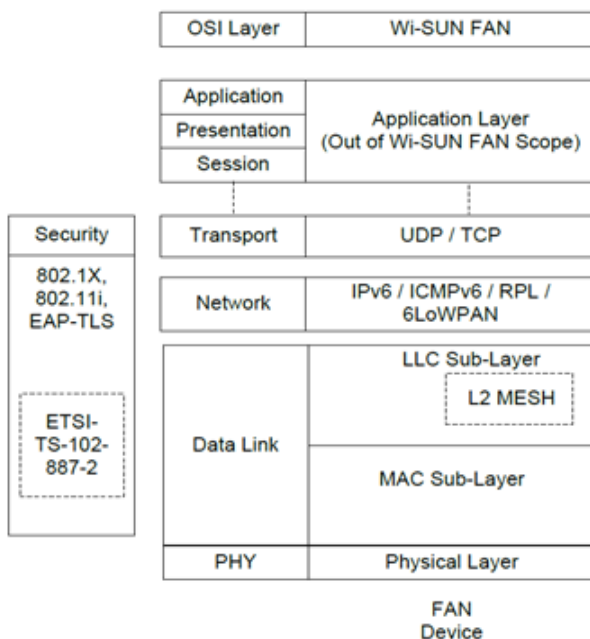
Standard and well-defined API's to control and configure the stack.

FAN Specification supports following device types:

- ✓ **Border Routers** - Each PAN contains a Border Router providing WAN connectivity to the PAN. The Border Router maintains source routing tables for all nodes within its PAN, provides node authentication and key management services, and disseminates PAN wide information such as broadcast schedules.
- ✓ **Routers** - Router nodes, which provide upward and downward packet forwarding (within a PAN). A Router also provides services for relaying security and address management protocols.

System Benefits:

- Reduced development and Productization time.
- Highly customizable and flexible makes it easily portable to any kind of product e.g. Smart Meter, Street Light, Smart City etc.
- Modular design stack architecture for easy portability to any MCU and Radio with minimal effort.
- 24/7 technical support for fastest turn around time for issue resolvent so that customer development time does not hinder.
- Can coexist with other propriety solution or vendor specific solutions.
- Stack functionality can be used in Linux or Embedded RTOS environment.



Related Products:

TBC: Test Bed Controller for Wi-SUN FAN Certification and Pre-Validation of certification program.

Pro-ETB: An Embedded test bench, which is easy to configure to do any kind of embedded device testing over Serial, USB, Ethernet Interface. Configurable to perform all different Wi-SUN profile Certification validation.

ProShark: A protocol analyzer for Sub 1Ghz RF network.